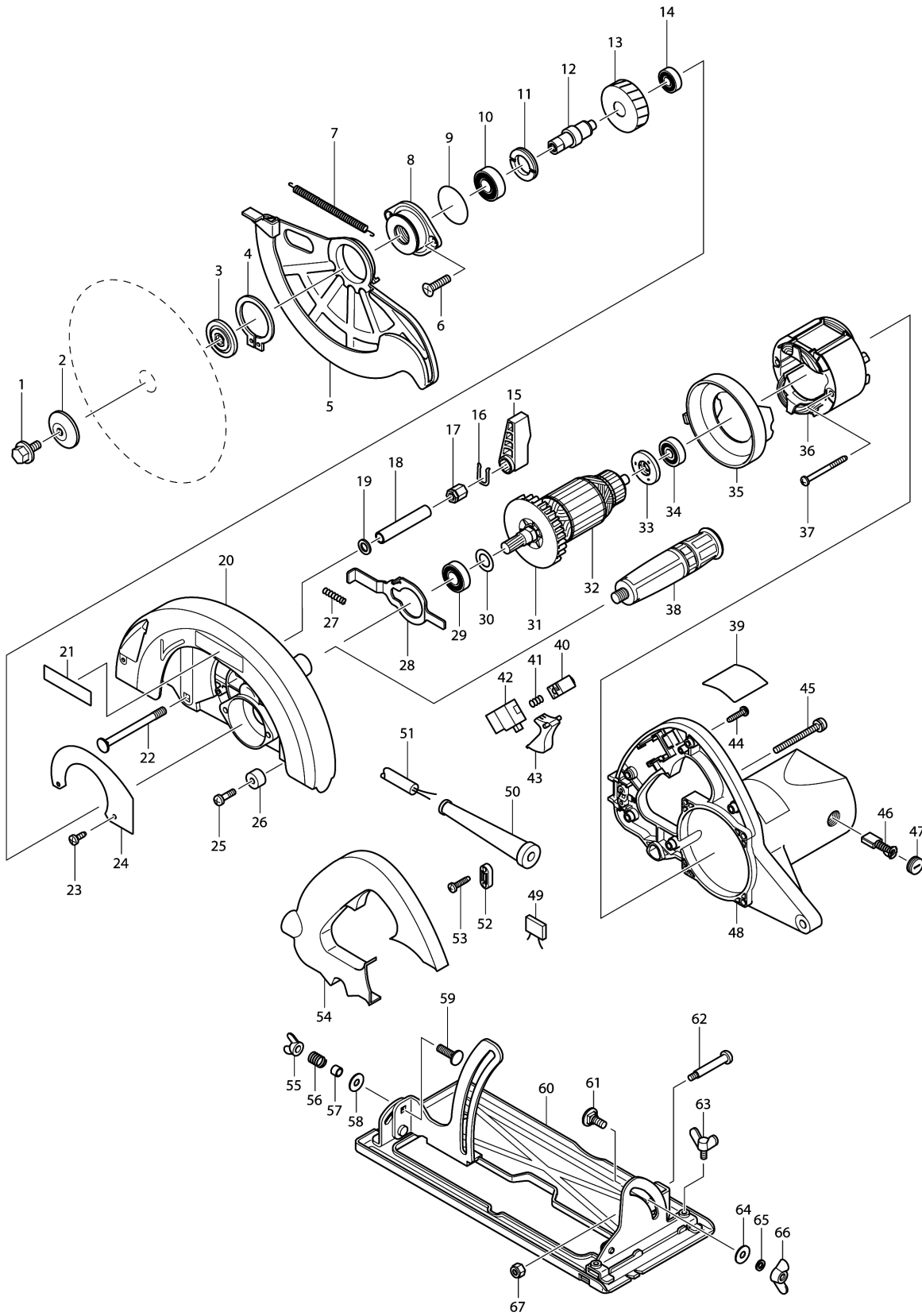


Model No.N5900B CIRCULAR SAW 235MM



Model No.N5900B CIRCULAR SAW 235MM

Item	Parts No.	Description	I/C	Qty	New/Old	Opt. 1	Opt. 2	Note
001	251644-1	HEX. FLANGE HEAD BOLT M8X20		1				
002	224301-4	OUTER FLANGE 42		1				
003-1	224302-2	INNER FLANGE 42		1				
004	961202-2	RETAINING RING S-45		1				
005-1	318091-0	SAFETY COVER		1				
006	265031-8	+ COUNTERSUNK HEAD SCREW M6X20		2				
007-1	231846-5	TENSION SPRING 5		1	*			
007-2	232487-0	TENSION SPRING 5	S	1				
008-1	318089-7	BEARING BOX		1				
009	213560-5	O RING 44		1				
010	211228-7	BALL BEARING 6202DDW		1				
011	285809-3	BEARING RETAINER 23-36		1				
012	323955-5	SPINDLE		1				
013	226523-2	HELICAL GEAR 39		1				
014	211088-7	BALL BEARING 6000DDW		1				
015	272230-5	LEVER 54		1				
016	231955-0	RING SPRING 12		1				
017	252134-7	HEX. NUT M8		1				
018	331568-8	PIPE 9		1				
019	941201-0	FLAT WASHER 8		1				
020-1A	188420-9	BLADE CASE SET		1	*			
C10	263005-3	RUBBER PIN 6		1	*			
D10		INC. 21			*			
020-2A	158413-0	BLADE CASE COMPLETE	S	1				
C10	263005-3	RUBBER PIN 6		1				
020-2B	158413-0	BLADE CASE COMPLETE		1				
C10	263005-3	RUBBER PIN 6		1				
021A	819064-1	MAKITA MARK		1	*			
022	266237-1	CAP SQUARE NECK BOLT M8X90		1				
023	266026-4	TAPPING SCREW BIND CT 4X12		2				
024-1	345760-0	COVER PLATE		1				
025-1	251350-8	+ COUNTERSUNK HEAD SCREW M6X28		1				
026-1	262564-4	RUBBER SLEEVE 6		1				
027	233264-3	COMPRESSION SPRING 5		1				
028	344844-1	SHAFT LOCK		1				
029	211236-8	BALL BEARING 6002DDW		1				
030	267164-5	FLAT WASHER 15		1				
031	240003-4	FAN 80		1				
032	516818-4	ARMATURE ASS'Y 220V		1				
D10		INC. 29-31,33,34						

Model No.N5900B CIRCULAR SAW 235MM

Item	Parts No.	Description	I/C	Qty	New/Old	Opt. 1	Opt. 2	Note
033	681630-2	INSULATION WASHER		1				
034	211066-7	BALL BEARING 6200LLB		1				
035	417114-2	BAFFLE PLATE		1				
036	596208-7	FIELD ASS'Y 220V		1				
C10	654020-2	RING TERMINAL		2				
C20	654502-4	CONNECTOR P-2		2				
037	266044-2	TAPPING SCREW 5X60		2				
038	152612-6	GRIP 36 COMPLETE		1				
039	850732-7	NAME PLATE N5900B		1				
040	417117-6	LOCK-OFF BUTTON		1				
041	233284-7	COMPRESSION SPRING 5		1				
042	651984-1	SWITCH TG71B-2		1				
043	417115-0	SWITCH LEVER		1				
044	265995-6	TAPPING SCREW 4X18		5				
045	911273-9	PAN HEAD SCREW M5X50		4				
046	181044-0	CARBON BRUSH CB-153		1				
047	643650-4	BRUSH HOLDER CAP 6.5-13.5		2	*			
047-1	643650-4	BRUSH HOLDER CAP 6.5-13.5	O	2				
048-1	151848-4	MOTOR HOUSING COMPLETE		1				
C10	643653-8	BRUSH HOLDER 6.5-13.5		2				
049	645200-1	NOISE SUPPRESSOR		1				
050-1	682564-2	CORD GUARD		1				
051-1	665865-3	POWER SUPPLY CORD 1.0-2-2.5		1				
052	687052-4	STRAIN RELIEF		1	*			
052-1	687124-5	STRAIN RELIEF	O	1				
053	265995-6	TAPPING SCREW 4X18		2				
054	417118-4	HANDLE COVER		1				
055	934301-3	WING NUT M6		1				
056	231139-0	COMPRESSION SPRING 9		1				
057	257669-3	SLEEVE 6		1				
058	253047-5	FLAT WASHER 6		1				
059	251919-8	CAP SQUARE NECK BOLT M6X20		1				
060	168389-3	BASE		1				
061	266330-1	FLAT HEAD SQ. NECK BOLT M6X16		1				
062	251221-9	+ PAN HEAD SCREW M6		1				
063	924306-1	WING BOLT M6X10		1				
064	253047-5	FLAT WASHER 6		1				
065	942151-2	SPRING WASHER 6		1	*			
065-1	253428-3	SPRING WASHER 6	O	1				
066	934301-3	WING NUT M6		1				
067	252014-7	HEX. LOCK NUT M6-10		1				

Please order the parts with part number.

Print Date 31/3/2020

Model No.N5900B CIRCULAR SAW 235MM

Item	Parts No.	Description	I/C	Qty	New/Old	Opt. 1	Opt. 2	Note
A01	164367-1	GUIDE RULE		1				
A02	782016-4	OFFSET WRENCH 13		1				
A03-1	A-89866	TCT SAW BLADE 235X30X20T		1				
A04	193068-4	JOINT SET		1				
A05B	821552-6	CONNECTOR PLASTIC CASE (TYPE4)		1				
C10	453974-8	LATCH		4				
A06B	802U92-9	N5900BJ INDICATION LABEL		1				
A07B	802U93-7	N5900BJ PLASTIC CASE LABEL		2				
A08B	837873-6	INNER TRAY		1				
E01	417117-6	LOCK-OFF BUTTON		1	*			
E02	415437-2	ROLLER PIN 6		2				
E03	415438-0	ROLLER 20		2				
E04	345759-5	LEVER 98		1				
E05	231847-3	TENSION SPRING 6		1	*			
E05-1	232488-8	TENSION SPRING 6	S	1				
E06	911123-8	PAN HEAD SCREW M4X14		1				
E07	419643-1	SPRING HOLDER		1				
E08	266192-7	TAPPING SCREW 4X14		1				

Please order the parts with part number.

Print Date 31/3/2020